

Drop-in Anchor E

Steel, zinc plated / Stainless steel, A4/316



Drop-in Anchor E



Drop-in Anchor E A4



Description

European approved Drop-in Anchor E: Deformable expansion cone adjusts to strength of concrete as well as to size of hole within the variation range of a drill bit from new to worn. The anchor assures easy and safe fastening. The shoulder of the setting tool contacts the anchor in any case. The marking setting tool leaves four significant marks on each anchor as proof of correct expansion. Spacing and edge distance are much more favourable than for most Drop-in Anchors on the market.

Applications

Attaching suspended ceilings, ventilation and sprinkler systems, structural steel, brackets, threaded rods.

Range of concrete quality: C20/25 - C50/60



Software available



Drop-in Anchor E

-hole using a new drill bit
-concrete C20/25



Drop-in Anchor E

-small drill hole
-concrete C50/60

Loads and performance data

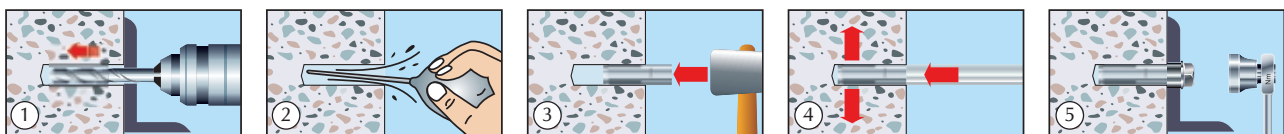
		M5	M6	M8	M10	M12	M16	M20	
		Non-cracked concrete C25/30							
Recommended loads, tension *	rec. N [kN]	0.30	1.80	3.30	5.00	8.00	10.50	12.60	
Recommended loads, shear *	rec. V [kN]	0.30	1.80	2.90	4.50	7.20	11.70	20.00	
Recommended bending moments (screw 8.8)	rec. M [Nm]	2.60	5.10	12.50	17.80	36.80	74.30	140.60	
Recommended bending moments (A4-70 st. steel)	rec. M [Nm]	2.60	3.80	9.40	16.30	32.70	75.30	90.10	

Installation parameters

Parameter	Symbol	Unit	M5	M6	M8	M10	M12	M16	M20
Drill hole diameter	d _o	[mm]	8	8	10	12	15	20	25
Diameter of clearance hole in the fixture	d _f	[mm]	6	7	9	12	14	18	22
Depth of drill hole	h ₁	[mm]	28	33	33	44	54	71	86
Effective anchorage depth	h _{ef}	[mm]	25	30	30	40	50	65	80
Minimum thickness of concrete slab	h	[mm]	100	100	100	120	130	160	200
Installation torque	T _{inst}	[Nm]	3	4	8	15	35	60	120

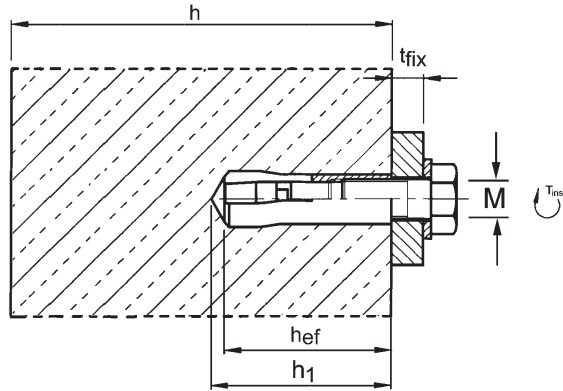
*with screw 5.8 or above

Installation of MKT E Drop In Anchor



1. Drill to specified diameter and depth.
2. Clean the hole with blow-out bulb.
3. Insert anchor into the hole and tap flush with the surface.
4. Install anchor using proper setting tool. Setting tool to be driven into anchor until setting tools shoulder meets top of anchor.
5. Install fixture and tighten anchor to specified torque. Refer to approvals and listings for design and building code compliance.





ETA-02/0020, Option 7

Recommended tension loads for single anchor without influence of spacing and edge distance, total safety factor 3.

Tension [kN]	cracked concrete						
	M5	M6	M8	M10	M12	M16	M20
C20/25	0.30	1.62	2.97	4.50	7.20	9.45	11.34
C25/30	0.30	1.80	3.30	5.00	8.00	10.50	12.60
C30/37	0.30	1.80	3.63	5.50	8.80	11.55	13.86
C40/50	0.30	1.80	4.19	6.35	10.16	13.33	16.00
C50/60	0.30	1.80	4.19	7.00	11.20	14.70	17.64

Recommended shear loads for single anchor without influence of spacing and edge distance, total safety factor 3 C20/25 up to C50/60 in non-cracked concrete.

Shear [kN]	Non-cracked concrete						
	M5	M6	M8	M10	M12	M16	M20
Concrete strength \geq C20/25	0.30	1.80	2.90	4.50	7.20	11.70	20.00

*) With Screw 5.8

Drop-in Anchor E



- Steel, zinc plated
- ETA approval for non-cracked concrete

Item No	Description	Anchor length l mm	Drill hole \varnothing x depth mm	Thread \varnothing x length mm	Package content pcs.	Weight per package kg
2020405025	E M 5*	25	8 x 28	M5 x 10	100	0.82
2020406030	E M 6*	30	8 x 33	M6 x 13	100	0.79
2020408030	E M 8	30	10 x 33	M8 x 13	100	1.24
2020410040	E M 10	40	12 x 44	M10 x 15	50	1.17
2020412050	E M 12	50	15 x 54	M12 x 18	50	2.35
2020416065	E M 16	65	20 x 71	M16 x 23	25	2.80
2020420080	E M 20	80	25 x 86	M20 x 34	25	5.12

*) DIBT approval for suspended ceilings.

Drop-in Anchor E A4



- Stainless steel A4/316
- ETA approval for non-cracked concrete

Item No	Description	Anchor length l mm	Drill hole \varnothing x depth mm	Thread \varnothing x length mm	Package content pcs.	Weight per package kg
2020305025	E M 5* A4	25	8 x 28	M5 x 10	100	0.82
2020306030	E M 6* A4	30	8 x 33	M6 x 13	100	0.79
2020308030	E M 8 A4	30	10 x 33	M8 x 13	100	1.24
2020310040	E M 10 A4	40	12 x 44	M10 x 15	50	1.17
2020312050	E M 12 A4	50	15 x 54	M12 x 18	50	2.35
2020316065	E M 16 A4	65	20 x 71	M16 x 23	25	2.80
2020320080	E M 20 A4	80	25 x 86	M20 x 34	25	5.12

*) DIBT approval for suspended ceilings.

Setting Tool for Drop-in Anchor E

Item No	Safety Setting tool for Drop-in Anchor E
2022308000	E-MSW 8
2022310000	E-MSW 10
2022312000	E-MSW 12
2022316000	E-MSW 16
2022320000	E-MSW 20

Item No	Setting tool for Drop-in Anchor E
2022405000	E-SW 5
2022406000	E-SW 6
2022408000	E-SW 8
2022410000	E-SW 10
2022412000	E-SW 12
2022416000	E-SW 16
2022420000	E-SW 20

