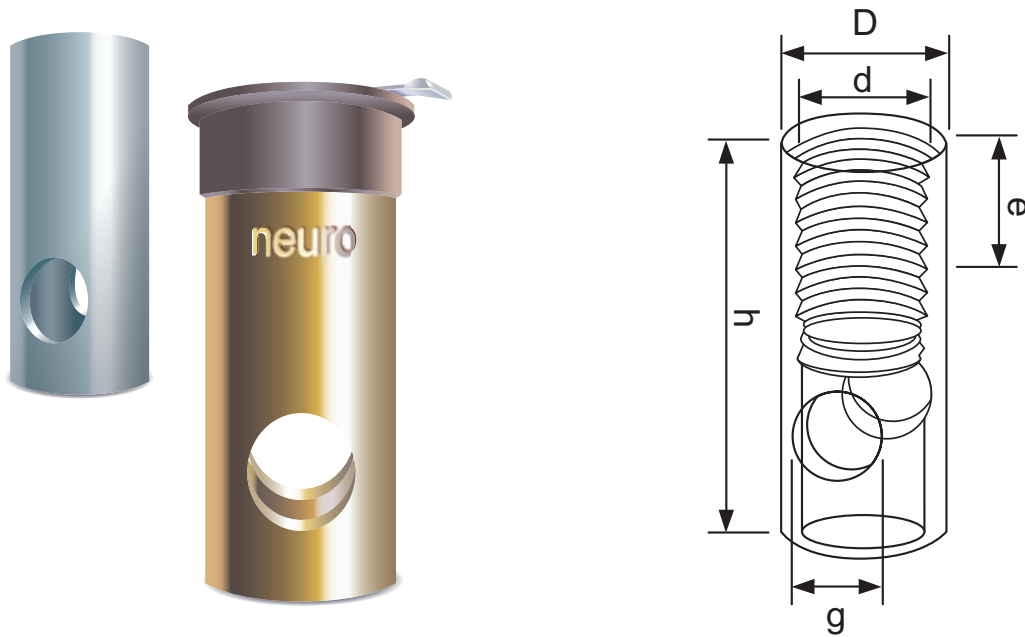


neuro LIFTING SOCKET

neuro lifting socket offers extremely good load bearing quality especially on angled loads.

neuro socket require additional reinforcement to be channeled through the cross hole for transferring the force into the concrete.

neuro LIFTING SOCKET



Manufactured from either high grade precision steel tube zinc plated or special stainless steel tube. The thread is finished in RD. (threaded end with metric gradient).

Description	Item No. zinc plated	Item No. hot dip galvanized	SWL kg	Dimensions mm				Packing per box
				D	g	h	e	
Socket Rd 12	2030112040	2030412040	500	15	8	40	22	100
Socket Rd 14	2030114047	2030414047	800	18	10.5	47	25	100
Socket Rd 16	2030116054	2030416054	1200	21	13	54	27	100
Socket Rd 18	2030118065	2030418065	1600	24	13	65	34	100
Socket Rd 20	2030120069	2030420069	2000	28	15.5	69	35	100
Socket Rd 24	2030124078	2030424078	2500	31	18	78	43	100
Socket Rd 30	2030130103	2030430103	4000	40	22.5	103	56	50
Socket Rd 36	2030136125	2030436125	6300	47	27.5	125	68	25
Socket Rd 42	2030142145	2030442145	8000	54	32	145	80	20
Socket Rd 52	2030152195	2030452195	12500	67.2	40	195	100	10

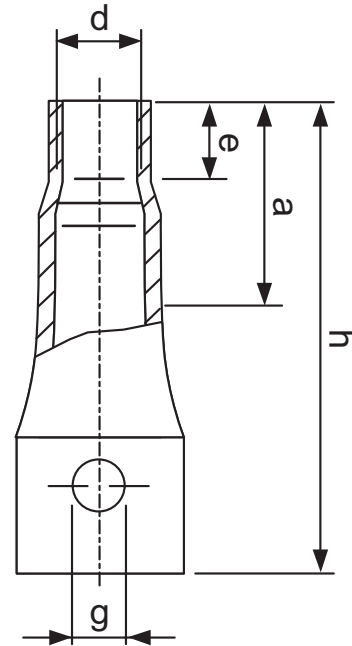
SWL: Safe Working Load
Stainless Steel on request

neuro **FIXING Dowel**

neuro fixing dowel flat end and cross hole is manufactured from either high grade precision steel tube zinc plated or special stainless steel tube.

Reinforcement bar is inserted into the hole for transfer of the dynamic forces into concrete.

neuro **FIXING DOWEL**



Description	Item No. zinc plated	Item No. hot dip galvanizing	Carrying capacity kg	Thread size		Dimensions mm			Packing per box
				d	e	a	h	g	
DOWEL M 8X40	2040108040	2040408040	200	M 8	8	25	40	6.2	500
DOWEL M 8X50	2040108050	2040408050	250	M 8	8	25	50	6.2	500
DOWEL M 10X50	2040110050	2040410050	350	M 10	10	24	50	6.2	500
DOWEL M 12X60	2040112060	2040412060	500	M 12	12	25	60	7.2	400
DOWEL M 12X70	2040112070	2040412070	600	M 12	12	30	70	7.2	400
DOWEL M 16X70	2040116070	2040416070	700	M 16	16	25	70	9.2	200
DOWEL M 16X80	2040116080	2040416080	800	M 16	16	25	80	12.2	200
DOWEL M 16X100	2040116100	2040416100	1000	M 16	16	32	100	9.2	100
DOWEL M 16X120	2040116120	2040416120	1200	M 16	16	32	120	12.2	100
DOWEL M 20X100	2040120100	2040420100	1250	M 20	20	40	100	12.2	100
DOWEL M 20X120	2040120120	2040420120	1400	M 20	20	40	120	14.2	100
DOWEL M 24X120	2040124120	2040424120	1800	M 24	24	50	120	14.2	50

Stainless Steel on request